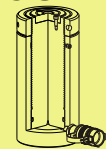


## CSLL Series



Capacity:  
**50-1,000 ton**

Stroke:  
**50-300 mm**

Maximum Operating Pressure:  
**700 bar**

## CSLL 液壓單動，高噸位鎖帽千斤頂

- 油壓缸內壁硬鉻處理，耐磨、抗腐蝕
- 安全鎖帽適於長時間荷重支撐
- 可替換式的溝槽墊塊為標準配件
- 單動重力回縮
- 揚程極限時具溢油孔作用
- 主軸及緊固螺帽特殊處理，耐磨、抗腐蝕
- 表面粉體塗裝美觀抗腐蝕、防銹
- 各型號均含SQB-3/8UF快速接頭及防塵蓋

### Single-Acting, High Tonnage, Lock Nut Cylinders

- ※Hard chrome plated inner of barrel resists wear and corrosion.
- ※Safety lock nut for mechanical load holding.
- ※Interchangeable, hardened grooved saddles are standard.
- ※Single-acting load return.
- ※Overflow port functions as a stroke limiter.
- ※Special coating on piston and lock nut improves corrosion and abrasion resistance.
- ※Powder coat finish for increased corrosion resistance and antirust.
- ※Come with SQB-3/8UF female coupler & dust cap.



### 墊塊/鞍座 Saddle

- CSLL-系列 均配有高硬度可移除式溝槽墊塊於起重時具防滑作用。偏心起重時請選用傾斜墊塊。
- 選配之傾斜墊塊請參閱選擇對照資訊。

※ CSLL-Series are equipped with hardened removable "Ribbed saddles" to prevent slippage during jacking. For off-center loading application, see optional tilting saddle.

※ For information on optional tilt saddles, see selection chart.

### 特殊潤滑處理 Special Lubricant Coating



鎖帽  
Lock ring

主軸  
Piston

### 雙動設計

CSLL 系列油壓缸可設計成雙動樣式，相關技術諮詢請與SUN RUN取得聯繫。訂購編號如下：

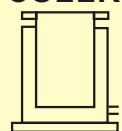
雙動系列：CSLLR

### Optional Features

CSLL series cylinder can be designed in Double-acting, please connect to SUN RUN.

Double-acting：CSLLR

## CSLLR



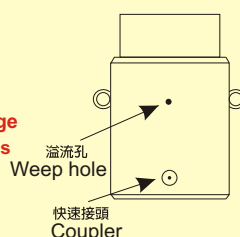
WARNING

適用於單動，高噸位千斤頂  
CSLP, CSLL, CSLS 系列

到達揚程極限時，溢流孔流出液壓油。藉此警告並保護主軸超揚昇。

Apply to Single-acting, High tonnage cylinder CSLP, CSLL and CSLS series

When stroke limit is reached; overflow port ("weep hole") spurt oil to prevents piston from being overextended.



溢流孔  
Weep hole

快速接頭  
Coupler

### 其他選配說明

假如您需要選配其他要求於您所訂製的千斤頂/油壓缸上，請依下列規範字尾增加編號。

回縮彈簧：XF

### 案例：

CSLL-502 選配回縮彈簧，訂製型號改為 CSLL-502XF 相關技術諮詢請與 SUN RUN 取得聯繫。

### Optional Features

To add optional features to your cylinder, add the follow suffixes to the end of the model number.

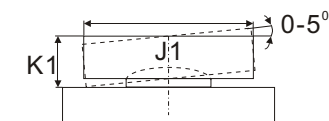
Spring return：XF

### Example：

CSLL-502 with spring return, order: CSLL-502XF  
Technical specifications for these features are available from SUN RUN.

提把型式 Handle type	
(S) : 標準配件 standard equipped	
(O) : 選配 option	
● 焊提把 Weldable	
★ 吊環螺栓 Eyebolt	
▲ 活動提把 Removable strap handles	
■ 螺牙式活動提把 Thread	

	焊提把 Weldable
	吊環螺栓 Eyebolt
	活動提把 Removable strap handles
	螺牙式活動提把 Thread



提把型式 Handle type	型號 Model Number	能力 Cylinder Cap.	揚程 Stroke	受壓面積 Effective Area	本身高 Coll. Height	總重 Weight	選配傾斜墊塊Optional Tilt Saddle		
							型號 Model Number	直徑 Diam.	高度 Height
(S)		ton(kN)	(mm)	(cm <sup>2</sup> )	A (mm)	(kg)	J1(mm)	K1(mm)	
★	CSLL-502	50 (496)	50	70.9	164	15	XKCAT-100	71	24
★	CSLL-504		100	70.9	214	20	XKCAT-100	71	24
★	CSLL-506		150	70.9	264	25	XKCAT-100	71	24
★	CSLL-508		200	70.9	314	30	XKCAT-100	71	24
★	CSLL-5010		250	70.9	364	35	XKCAT-100	71	24
★	CSLL-5012		300	70.9	414	40	XKCAT-100	71	24
★	CSLL-1002	100 (929)	50	132.7	187	30	XKCAT-100	71	24
★	CSLL-1004		100	132.7	237	39	XKCAT-100	71	24
★	CSLL-1006		150	132.7	287	48	XKCAT-100	71	24
★	CSLL-1008		200	132.7	337	56	XKCAT-100	71	24
★	CSLL-10010		250	132.7	387	64	XKCAT-100	71	24
★	CSLL-10012		300	132.7	437	73	XKCAT-100	71	24
★	CSLL-1502	150 (1390)	50	198.6	209	53	XKCAT-200	130	20
★	CSLL-1504		100	198.6	259	66	XKCAT-200	130	20
★	CSLL-1506		150	198.6	309	78	XKCAT-200	130	20
★	CSLL-1508		200	198.6	359	92	XKCAT-200	130	20
★	CSLL-15010		250	198.6	409	104	XKCAT-200	130	20
★	CSLL-15012		300	198.6	459	117	XKCAT-200	130	20
★	CSLL-2002	200 (1859)	50	265.6	243	83	XKCAT-200	130	20
★	CSLL-2006		150	265.6	343	117	XKCAT-200	130	20
★	CSLL-20012		300	265.6	493	170	XKCAT-200	130	20
★	CSLL-2502	250 (2562)	50	366.1	249	116	XKCAT-250	150	21
★	CSLL-2506		150	366.1	349	162	XKCAT-250	150	21
★	CSLL-25012		300	366.1	499	234	XKCAT-250	150	21
★	CSLL-3002	300 (3193)	50	456.2	295	173	XKCAT-300	195	75
★	CSLL-3006		150	456.2	395	233	XKCAT-300	195	75
★	CSLL-30012		300	456.2	545	323	XKCAT-300	195	75
★	CSLL-4002	400 (3919)	50	559.9	335	250	XKCAT-400	225	85
★	CSLL-4006		150	559.9	435	327	XKCAT-400	225	85
★	CSLL-40012		300	559.9	585	441	XKCAT-400	225	85
★	CSLL-5002	500 (5118)	50	731.1	375	367	XKCAT-500	250	91
★	CSLL-5006		150	731.1	475	466	XKCAT-500	250	91
★	CSLL-50012		300	731.1	625	617	XKCAT-500	250	91
★	CSLL-6002	600 (5983)	50	854.8	395	446	XKCAT-600	275	96
★	CSLL-6006		150	854.8	495	562	XKCAT-600	275	96
★	CSLL-60012		300	854.8	645	737	XKCAT-600	275	96
★	CSLL-8002	800 (8238)	50	1176.9	455	709	XKCAT-800	320	123
★	CSLL-8006		150	1176.9	555	870	XKCAT-800	320	123
★	CSLL-80012		300	1176.9	705	1110	XKCAT-800	320	123
★	CSLL-10002	1000 (10260)	50	1466.4	495	949	XKCAT-1000	360	136
★	CSLL-10006		150	1466.4	595	1141	XKCAT-1000	360	136
★	CSLL-100012		300	1466.4	745	1430	XKCAT-1000	360	136



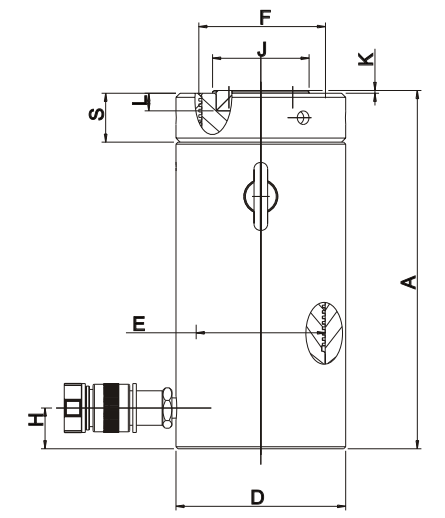
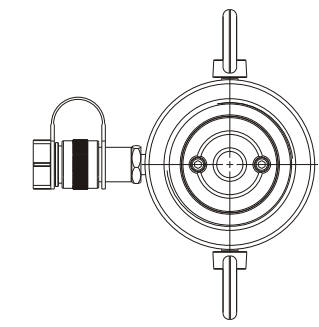
### 大噸數、低高度時 Low Height-High Tonnage

- 當初次使用於空間受限環境時，同時需要大噸數能力，而高度低的油壓缸時，扁平鎖帽型千斤頂提供更優質的選擇。

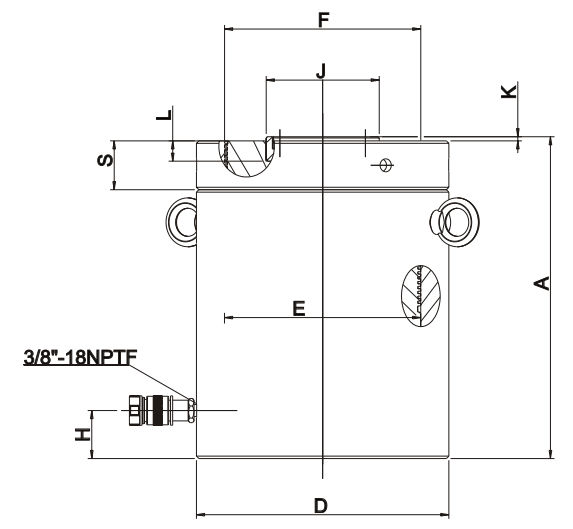
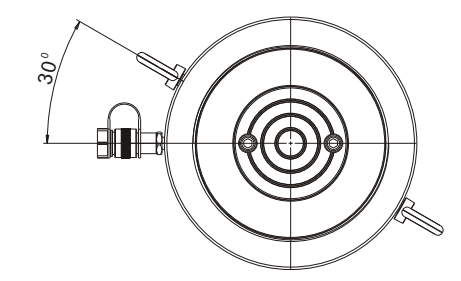
※ When low height with high force is required, pancake cylinders with lock nut offer the solution to lift the first few inches.

型號 Model Number	外部尺寸 Outer Dimension								
	能力 Cylinder Cap.	揚程 Stroke	受壓面積 Effective Area	總油量 Oil Cap.	本身高 Coll. Height	伸長總高 Ext. Height	外徑 Outside Diam.	內徑 Bore Diam.	主軸直徑 Plunger Diam. (threaded)
	ton(kN)	(mm)	(cm <sup>2</sup> )	(cm <sup>3</sup> )	A (mm)	(mm)	D (mm)	E (mm)	F (mm)
CSLL-502	50 (496)	50	70.9	355	164	214	125	95.0	Tr95x4
CSLL-504		100	70.9	709	214	314	125	95.0	Tr95x4
CSLL-506		150	70.9	1064	264	414	125	95.0	Tr95x4
CSLL-508		200	70.9	1418	314	514	125	95.0	Tr95x4
CSLL-5010		250	70.9	1773	364	614	125	95.0	Tr95x4
CSLL-5012		300	70.9	2127	414	714	125	95.0	Tr95x4
CSLL-1002	100 (929)	50	132.7	664	187	237	165	130.0	Tr130x6
CSLL-1004		100	132.7	1327	237	337	165	130.0	Tr130x6
CSLL-1006		150	132.7	1991	287	437	165	130.0	Tr130x6
CSLL-1008		200	132.7	2654	337	537	165	130.0	Tr130x6
CSLL-10010		250	132.7	3318	387	637	165	130.0	Tr130x6
CSLL-10012		300	132.7	3981	437	737	165	130.0	Tr130x6
CSLL-1502	150 (1390)	50	198.6	993	209	259	205	159.0	Tr159x6
CSLL-1504		100	198.6	1986	259	359	205	159.0	Tr159x6
CSLL-1506		150	198.6	2979	309	459	205	159.0	Tr159x6
CSLL-1508		200	198.6	3972	359	559	205	159.0	Tr159x6
CSLL-15010		250	198.6	4965	409	659	205	159.0	Tr159x6
CSLL-15012		300	198.6	5958	459	759	205	159.0	Tr159x6
CSLL-2002	200 (1859)	50	265.6	1330	243	293	235	184.0	Tr184x6
CSLL-2006		150	265.6	3989	343	493	235	184.0	Tr184x6
CSLL-20012		300	265.6	7995	493	793	235	184.0	Tr184x6
CSLL-2502	250 (2562)	50	366.1	1832	249	299	275	216.0	Tr216x6
CSLL-2506		150	366.1	5496	349	499	275	216.0	Tr216x6
CSLL-25012		300	366.1	10976	499	799	275	216.0	Tr216x6
CSLL-3002	300 (3193)	50	456.2	2281	295	345	310	241.0	Tr241x6
CSLL-3006		150	456.2	6843	395	545	310	241.0	Tr241x6
CSLL-30012		300	456.2	13740	545	845	310	241.0	Tr241x6
CSLL-4002	400 (3919)	50	559.9	2800	335	385	350	267.0	Tr266x6
CSLL-4006		150	559.9	8399	435	585	350	267.0	Tr266x6
CSLL-40012		300	559.9	16800	585	885	350	267.0	Tr266x6
CSLL-5002	500 (5118)	50	731.1	3653	375	425	400	305.0	Tr305x6
CSLL-5006		150	731.1	10967	475	625	400	305.0	Tr305x6
CSLL-50012		300	731.1	21930	625	925	400	305.0	Tr305x6
CSLL-6002	600 (5983)	50	854.8	4277	395	445	430	330.0	Tr330x6
CSLL-6006		150	854.8	12830	495	645	430	330.0	Tr330x6
CSLL-60012		300	854.8	25650	645	945	430	330.0	Tr330x6
CSLL-8002	800 (8238)	50	1176.9	5882	455	505	505	387.0	Tr387x6
CSLL-8006		150	1176.9	17645	555	705	505	387.0	Tr387x6
CSLL-80012		300	1176.9	35370	705	1005	505	387.0	Tr387x6
CSLL-10002	1000 (10260)	50	1466.4	7329	495	545	560	432.0	Tr432x6
CSLL-10006		150	1466.4	21986	595	745	560	432.0	Tr432x6
CSLL-100012		300	1466.4	43980	745	1045	560	432.0	Tr432x6

外部尺寸 Outer Dimension					
底部前進 油孔位置 Base to Advance Port	墊塊直徑 Stand. Saddle Diam.	凸出高度 Saddle Protrusion from Plgr.	主軸孔深度 Depth of Plunger Hole	鎖帽高度 Lock Nut Height	總重 Weight
H (mm)	J (mm)	K (mm)	L (mm)	S (mm)	(kg)
30	71	2	15	36	15
30	71	2	15	36	20
30	71	2	15	36	25
30	71	2	15	36	30
30	71	2	15	36	35
30	71	2	15	36	40
30	71	2	15	44	30
30	71	2	15	44	39
30	71	2	15	44	48
30	71	2	15	44	56
30	71	2	15	44	64
30	71	2	15	44	73
39	130	2	25	44	53
39	130	2	25	44	66
39	130	2	25	44	78
39	130	2	25	44	92
39	130	2	25	44	104
39	130	2	25	44	117
50	130	2	25	50	83
50	130	2	25	50	117
50	130	2	25	50	170
50	150	2	25	56	116
50	150	2	25	56	162
50	150	2	25	56	234
59	139	5	25	60	173
59	139	5	25	60	233
59	139	5	25	60	323
70	159	5	25	70	250
70	159	5	25	70	327
70	159	5	25	70	441
80	179	5	25	80	367
80	179	5	25	80	466
80	179	5	25	80	617
85	194	5	25	85	446
85	194	5	25	85	562
85	194	5	25	85	737
100	224	5	25	100	709
100	224	5	25	100	870
100	224	5	25	100	1110
110	249	5	25	110	949
110	249	5	25	110	1141
110	249	5	25	110	1430



CSLL-502 to CSLL-25012



CSLL-3002 to CSLL-100012