

SPE-3000

- 省電易攜帶，操作簡便。
- 適用各類型操作場合。
- 提把與外殼一體成型。
- 均附有10呎線控裝置。
- 碳刷馬達，頻繁啟動耐操控。

電動油壓泵浦 Hydraulic Electric Pump

- ※ Requires less energy, simple and easy to operate.
- ※ Suitable for any industrial application.
- ※ Handle and casing built together.
- ※ Equipped with 10ft remote line.
- ※ Carbon brush motor, working frequently.

SPE-3000 Series

Reservoir Capacity:
3000-6000c.c

Flow at rated pressure:
4-0.4 L

Motor Size:
0.37kW(0.5 hp)

Maximum Operating Pressure:
700 bar

電泵型號選擇：Custom build your Electric Pump:

SPE-3000A 1 5 1 LT PBG

1. 閥門樣式

- A. 常閉內建三口二位電磁閥：前進 保持 回復
B. 常開線控自動洩壓：前進 回復
(馬達停止即洩壓，適用於衝床(打孔機)、壓摺機或切割時使用)
C. 手動三口二位控制閥：前進 保持 手動回復
D. 手動四口三位控制閥：前進 保持 手動回復

2. 電壓/安培

- 1=115V/7.5A
2=230V/2.8A

3. Hz

- 5=50/60Hz

4. 相數

- 1=1ph

5. 油箱

- 無字樣=3000c.c PU油箱
LT=8000c.c 鐵製油箱
★亦可依客戶訂製

6. 配件

- PJ=壓力調整開關
PB=外部調壓閥
G=壓力錶

1. Valve

- A. **3way/ 2position built-in Solenoid Valve** : Advance Hold Return
B. **Remote Release Pressure** : Advance Return (Ideal for punching, crimping and cutting)
C. **3way/ 2position Manual Valve** : Advance Hold Manual return
D. **4way/ 3position Manual Valve** : Advance Hold Manual return

2. Voltage/A

- 1=115V/7.5A
2=230V/2.8A

3. Hz

- 5=50/60Hz

4. Phase

- 1=1ph

5. Reservoir

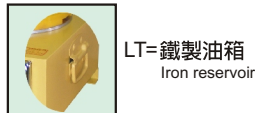
- No word=3000c.c PU reservoir
LT=8000c.c Iron reservoir
★User can order suitable reservoir.

6. fitting

- PJ=Pressure adjust switch
PB=Pressure adjuster
G=Pressure gauge



SPE-3000C



LT=鐵製油箱
Iron reservoir



PJ=壓力調整開關
Pressure Adjust Switch
Part No.:SPG-800-CE80

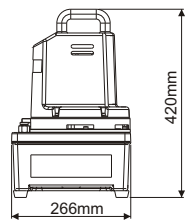
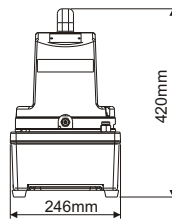
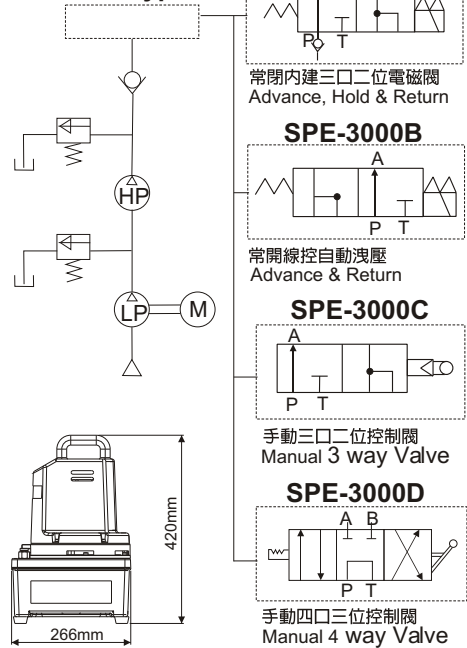


G=充油式壓力錶
Pressure Gauge



PB=調整開關
Pressure Adjuster Switch
Part No.:SPS-7A-700

閥門樣式 Valve type



控制閥 Control Valve

單動液壓千斤頂可選用3口2位式電磁閥(內建)或手動控制閥。
建議型號：SPE-3000A(電磁閥)或SPE-3000C(手動閥)

A single-acting cylinder must be powered by a pump with a 3-way solenoid (built-in) or manual valve.

Compare Model : SPE-3000APS (solenoid) or SPE-3000CPS (manual)

雙動液壓千斤頂必須搭配具4口閥門的液壓泵浦。
建議型號：SPE-3000D

A double-acting cylinder must be powered by a pump with a 4-way valve. Compare Model : SPE-3000D

型號 Model Number	馬達 Motor	最大使用壓力 Max. Pressure	輸出壓力 Pressure Rating		輸出油量 Output flow rate		噪音值 dBA at Idle and 700bar	重量 (含油) Weight (include oil)	外型尺寸 Dimension
			1 st stage	2 nd stage	1 st stage	2 nd stage			
SPE-3000	0.37(0.5)	10,000(700)	200(14)	10,000(700)	4	0.4	85-90	16	250*270*400
SPE-3000 LT	0.37(0.5)	10,000(700)	200(14)	10,000(700)	4	0.4	85-90	24	300*350*460

SPE-554TQJ 電動油壓泵浦

- 外部調壓。
- SPE-554TQ系列：適用於液壓扭力扳手工具(請參考119-121頁)。
- SPE-554TQJ系列：適用於各類液壓舉升工具。
- 3m(10ft)遙控線。
- 不銹鋼框架便於提運。

SPE-554TQJ Series

Reservoir Capacity:
8-20L

Flow at rated pressure:
11.3-0.9 L

Motor Size:
0.84kW (1-1/8 hp)

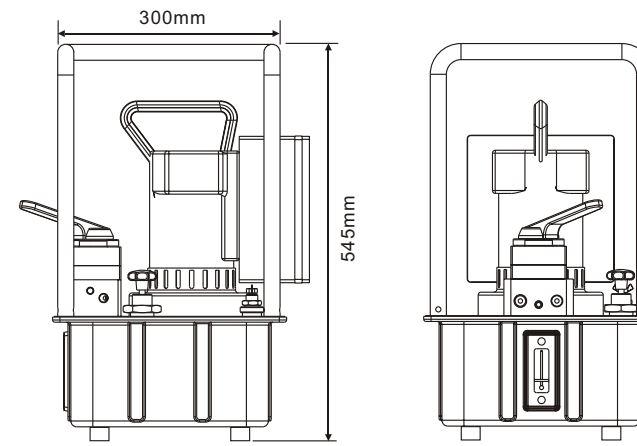
Maximum Operating Pressure:
700 bar

Hydraulic Electric Pump

- ※ External adjustable pressure regulator.
- ※ SPE-554TQ series: just use with Hydraulic Torque Wrench(see page119-121).
- ※ SPE-554TQJ series: just use with Hydraulic lift applications.
- ※ 3M(10 ft) remote motor control .
- ※ Stainless frame easy to carry.



SPE-554TQJ



電泵型號選擇：Custom build your Electric Pump:

SPE-554TQJ 1 5 1 8 4 WO

0 1 2 3 4 5 6

- 0.樣式
TQ=扭力扳手專用
TQJ=一般舉升適用

- 1.電壓
1=115V
2=230V

2. Hz
5=50Hz / 60Hz

- 3.相數
1=1ph

4. 油箱 (Lx0.26=gal)
8=8L(2.1gal)
20=20L(5.2gal)
★亦可依客戶訂製

5. 閥 (僅限TQJ型使用)
3=手動三口方向閥
4=手動四口方向閥
7=三口逆止式電磁閥
8=四口逆止式電磁閥

- 6.選配
W=輪子
O=冷卻系統
G=油壓錶

- 0.Type
TQ= just use in Torque Wrench
TQJ= using in lift applications

- 1.Voltage
1=115V
2=230V

2. Hz
5=50Hz / 60Hz

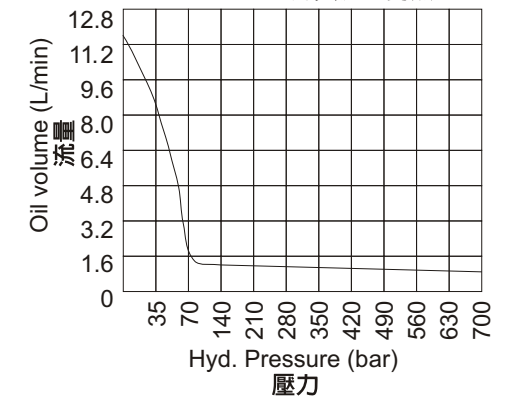
3. Phase
1=1ph

4. Reservoir (Lx0.26=gal)
8=8L(2.1gal)
20=20L(5.2gal)
★User can order suitable reservoir.

5. Valve (just use in TQJ series)
3=Manual 3Way
4=Manual 4Way
7=Check Solenoid 3Way
8=Check Solenoid 4Way

6. Optional
W=Castor wheel
O=Cool system
G=Pressure Gauge

SPE-554 Pressure vs volume SPE-554 壓力與流量對照



型號 Model Number	轉速 Rpm	噪音值 dBA at Idle and 700bar	馬達 Motor	安培 Amp at 700bar	流量 Flow rate @230VAC(L/min)				油箱 Oil tank	可用油量 Usable oil	重量 (含油) Weight (with oil)
					0 (bar)	30 (bar)	350 (bar)	700 (bar)			
SPE-554	12000	80	0.84 (1-1/8)	25 /110V	11.3	7.2	1.2	0.95	8	7	32
				10.7 /230V							