

SV/W ※單位 unit (mm)

手動操控閥

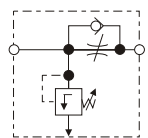
- 當油壓缸回縮時得以手動開啓方式使油流回油箱。
- 單動及雙動油壓缸均適用。

Manually Operated Check Valve

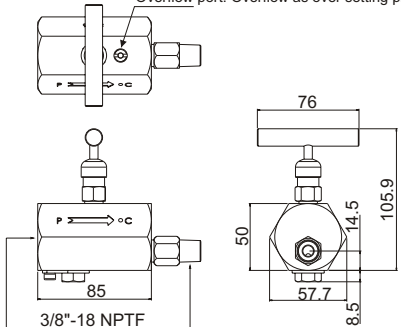
※Valve is manually opened to allow oil to flow back to tank when cylinder retracts.
 ※Used for load holding applications with single and double acting cylinder.



SV-66



溢油孔：超過預設壓力時溢油
 Overflow port: Overflow as over setting pressure.

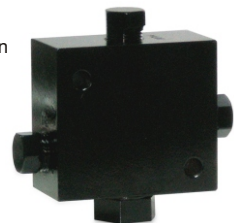


液控單向閥

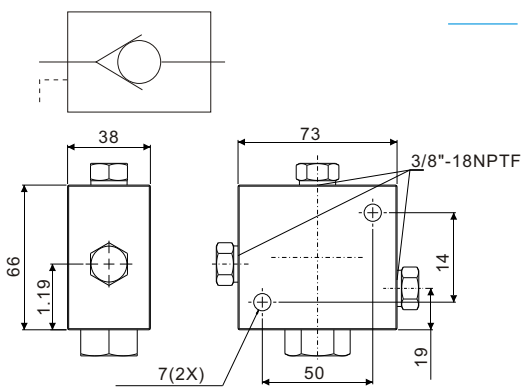
- 當油壓系統壓力減少時，安裝於千斤頂可維持荷重。
- 通常與雙動千斤頂搭配使用，承受自千斤頂上回油T型接頭的壓力。
- 3/8" NPTF 母接頭孔。
- 單向閥壓縮比 14% (6.5:1)

Pilot Operated Check Valve

※Can be mounted at the cylinder to hold the load in case of system pressure loss.
 ※Normally used with double-acting cylinders where pilot port receives pressure from a T-fitting in the cylinder retract line.
 ※3/8" NPTF female ports.
 ※Pilot pressure ratio 14% (6.5:1)



SV-42



SV/W Series

最大使用壓力
 Maximum Operating Pressure
700 bar

單向逆止手動回油調節閥

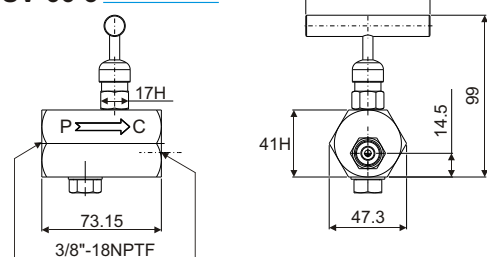
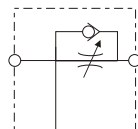
- 當油壓缸回縮時得以手動開啓方式使油流回油箱。
- 單動及雙動油壓缸均適用。

Manually Operated Check Valve

※Valve is manually opened to allow oil to flow back to tank when cylinder retracts.
 ※Used for load holding applications with single and double acting cylinder.



SV-66-3



針閥

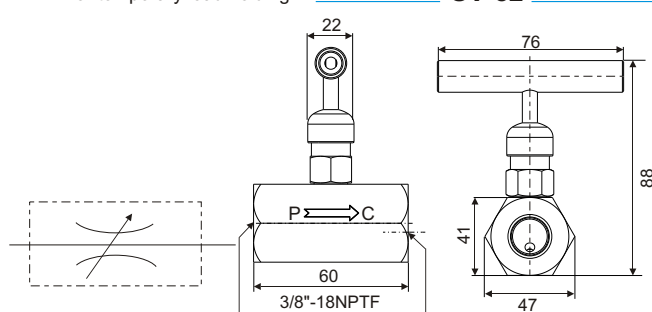
- 3/8"-18NPTF母接頭。
- 可控制油壓缸速度。
- 亦可當作暫時維持的關閉閥。

Needle Valve

※3/8"-18NPTF female ports.
 ※To control cylinder speed.
 ※Also be used as shut-off valve for temporary load holding.



SV-82



手動操控閥

- 限制當液壓泵浦迴路時產生的壓力,以保護其他零配件。當到達預設壓力的情形下,閥打開。
 - 順時針旋轉手柄,增壓設定。
- 包含: 1. 3ft. 迴油油管套件
 2. 3%的重複性
 3. 800-10,000 psi 調整範圍

Manually Operated Check Valve

※Limits pressure developed by the pump in hydraulic circuit, thus limiting the force created by other component. Valve opens whenever preset pressure is reached.
 ※To increase pressure setting, turn handle clockwise.
 Include: 1. 3 ft. return line hose kit
 2. ± 3% repeatability
 3. 800-10,000 psi adjustment range.



SV-152

控制閥

- 四口三位。
- 水平鎖定定位。
- 適用於雙動油壓缸及已安裝SV-66-3的單動油壓缸。
- 提供"前進、維持、回復"動作。

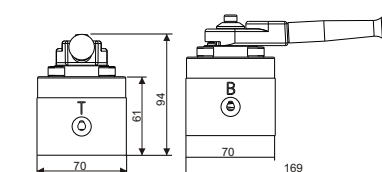
Control Valves

※4-way/3-position.
 ※Lever operated, detent positioned.
 ※Application :double-acting cylinders and single-acting cylinders which be equipped with SV-66-3.
 ※Provides"advance", "hold"and "return".

型號 Model No.	前進 Advance	持壓 Hold	回復 Retract
SW-700			
SW-700B			



SW-700

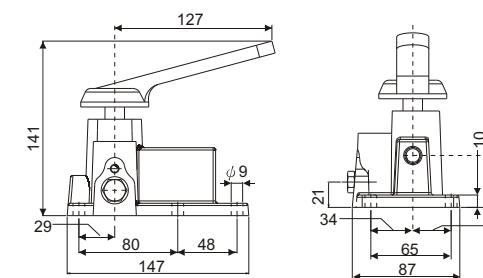
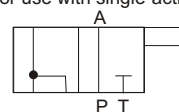


控制閥

- 三口二位手動方向閥。
- 可"前進、回復"動作。
- 可搭配使用單動千斤頂。

Control Valves

※3-way/2-position manual control valve.
 ※Provides"advance"and "return".
 ※For use with single-acting cylinder.



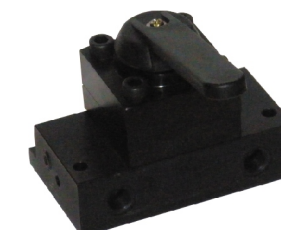
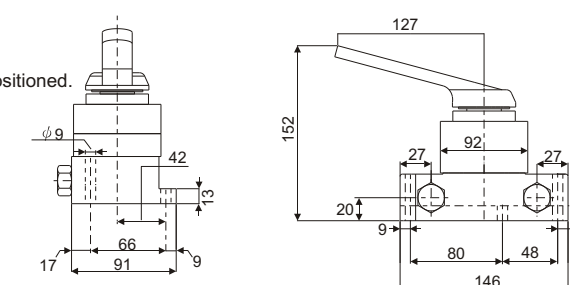
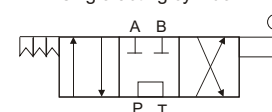
SVM-S2

控制閥

- 四口三位手動方向閥。
- 可"前進、維持、回復"動作。
- 中立回油，水平鎖定定位。
- 可搭配使用雙動千斤頂或二具單動千斤頂。

Control Valves

※4-way/3-position manual control valve.
 ※Tandem center, lever operated, detent positioned.
 ※Provides"advance","hold"and "return".
 ※For use with double-acting or two single-acting cylinder.



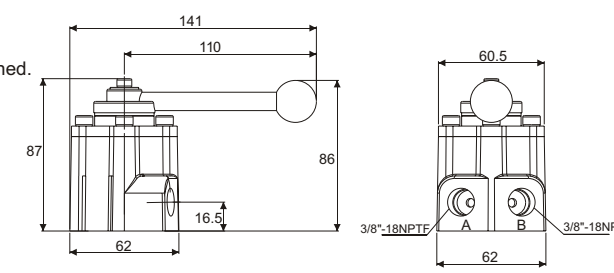
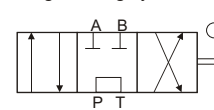
SVM-D4

控制閥

- 四口三位手動方向閥。
- 可"前進、維持、回復"動作。
- 中立回油，水平鎖定定位。
- 可搭配使用雙動千斤頂或二具單動千斤頂。

Control Valves

※4-way/3-position manual control valve.
 ※Tandem center, lever operated, detent positioned.
 ※Provides"advance","hold"and "return".
 ※For use with double-acting or two single-acting cylinder.



SVR-D4