

TORQUE MULTIPLIERS

EGA Master produces a wide range of **EGATORIK** controlled tightening, torque multipliers being part of them.

EGA Master Torque multipliers are the ideal complement for Digital Torque Wrenches, which increase the input torque in proportion of 4 or 20, allowing high output torques for specials requests.

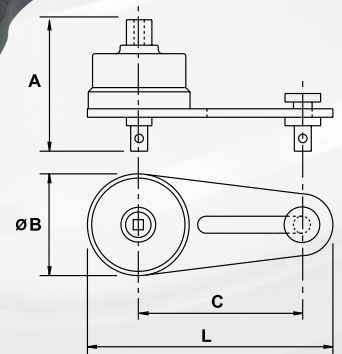
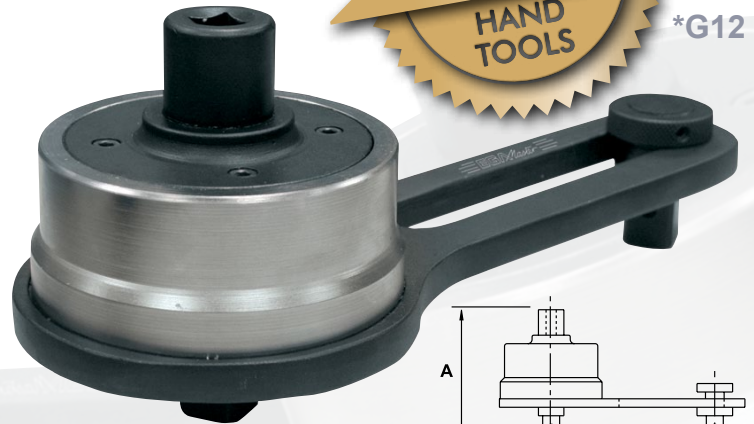


Example:

To obtain an output torque of 1800Nm, user should apply an input torque of:

$$\text{Input torque} = \text{output torque} \times \text{net ratio}$$

$$1800 \times 1/4.5 = 400\text{Nm}$$



COD	OUT (MAX)		RATIO	IN (MAX)		IN		OUT		Kg.	Models		
	N.m	Lb.ft		N.m	Lb.ft	IN	OUT	L	A			ØB	C
63850			4,5:1	378	279	1/2"	3/4"			4,5	62954 / 62957 / 62958 / 62961 / 62962 / 62963 / 62968		
63851	1700	1250	22,5:1	75	55	1/2"	1"	310	200	5,0	62969		
63852											7,0	62954 / 62957 / 62958 / 62961 / 62962 / 62963 / 62968	
63853	2700	2000	4,5:1	600	442	3/4"	1"	365	145	8,0	62969		
63854			22,5:1	120	88	1/2"					200	140	260
63855	3400	2500	4,5:1	750	553	3/4"	1 1/2"	445	150	10	62969		
63856			22,5:1	150	110	1/2"					205	185	360
63857	6000	4500	4,5:1	1325	977	3/4"	1 1/2"	445	170	16	62969		
63858			22,5:1	264	194	1/2"					250	185	360
63859	9500	7000		420	309	3/4"	2 1/2"	505	290	200	480	32	62969

TECHNICAL SPECIFICATIONS

Cr-V

COD	TORQUE MULTIPLICATION RATIO	NET RATIO	PERFORMANCE (%)	ACCURACY (%)	NON-RETURN SYSTEM
63850	5:1	4,5:1	90	±4	-
63851		22,5:1			-
63852	25:1	22,5:1			•
63853	5:1	4,5:1			-
63854	25:1	22,5:1			•
63855	5:1	4,5:1			-
63856	25:1	22,5:1			•
63857	5:1	4,5:1			-
63858	25:1	22,5:1	•		
63859			•		

NON-RETURN SYSTEM

Torque multipliers with a 22.5:1 relation gearbox, include a non-return system to avoid the reaction induced in the grip. This system locks up the nut, not allowing the torque multiplier to rewind, due to the high ratio level supported. These guarantees the user a safe, easy and comfortable use. All models have a special case in order to be well protected and easy to transport.

*12 MONTHS OF WARRANTY