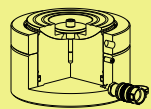


## CSLP Series



Capacity:  
**60-520 ton**

Stroke:  
**45-50 mm**

Maximum Operating Pressure:  
**700 bar**

## CSLP 液壓單動，扁平鎖帽千斤頂

- 扁平設計適用於狹窄空間。
- 主軸及鎖帽特殊處理，防止長時間密合卡死。
- 安全鎖帽可於壓力釋放後維持支撐。
- 傾斜墊塊可減少偏荷載危險。
- 溢油孔可防止超揚程。
- 將到達全揚程時出現紅色警戒線。
- 垂直單動重力回縮。
- 表面粉體塗裝美觀抗腐蝕、防銹。
- 各型號均含SQB-3/8UF快速接頭及防塵蓋。

### Single-Acting, Low Height, Lock Nut Cylinder

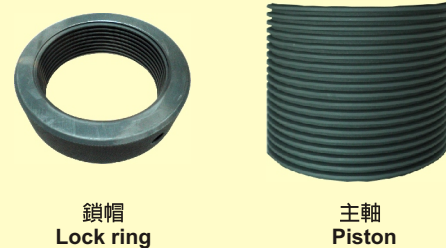
- ※Low height design for use in confined space.
- ※Special coating on thread piston and lock ring to prevent anti-seize over long period of time.
- ※Safety lock ring for mechanical load support even with hydraulic pressure released.
- ※Equipped with tilt saddle to minimize off center-load.
- ※Equipped with overflow port to prevent over stroke.
- ※Equipped with red indicate line to warn operator when cylinder reach full stroke.
- ※Load return type-for vertical lifting only.
- ※Powder coat finish for better corrosion resistance.
- ※All cylinders are equipped with SQB-3/8UF female coupler & dust cap.

|  |                                 |
|--|---------------------------------|
|  | 焊提把<br>Weldable                 |
|  | 吊環螺栓<br>Eyebolt                 |
|  | 活動提把<br>Removable strap handles |
|  | 螺牙式活動提把<br>Thread               |

| 提把型式 Handle type               |  |
|--------------------------------|--|
| (S) : 標準配件 standard equipped   |  |
| (O) : 選配 option                |  |
| ● 焊提把 Weldable                 |  |
| ★ 吊環螺栓 Eyebolt                 |  |
| ▲ 活動提把 Removable strap handles |  |
| ■ 螺牙式活動提把 Thread               |  |

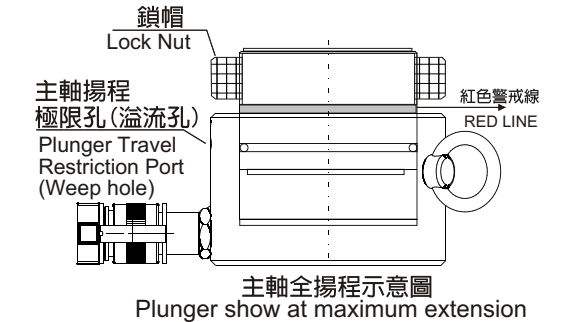
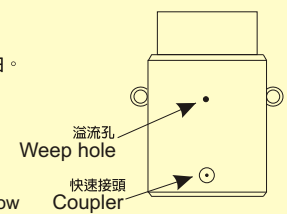


### 特殊潤滑處理 Special Lubricant Coating



適用於單動，高噸位千斤頂  
CSLP, CSLL, CSLS 系列  
到達揚程極限時，溢流孔流出液壓油。  
藉此警告並保護主軸超揚昇。

Apply to Single-acting, High  
tonnage cyl. CSLP, CSLL and  
CSLS series  
When stroke limit is reached; overflow  
port ("weep hole") spurt oil to prevents  
piston from being overextended.



### 墊塊/鞍座 Saddle

所有 CSLP-系列均配有整體性之傾斜墊塊以預防側荷重之危險。  
All CSLP-Series come with tilt saddles to minimize off center-load damage.



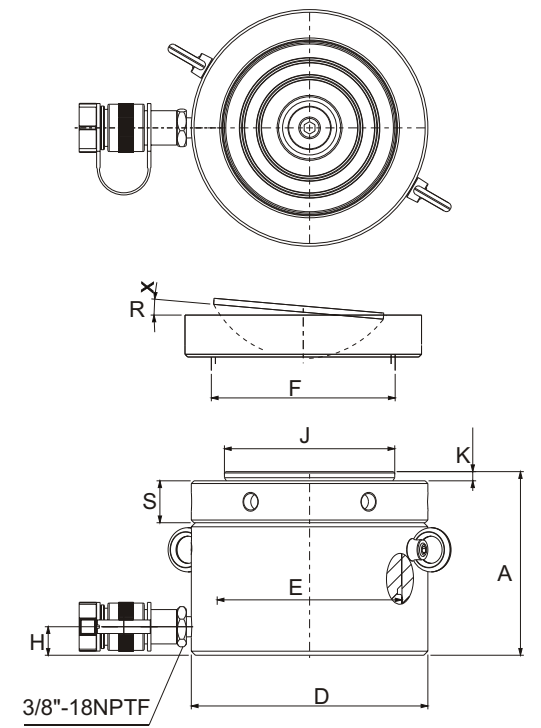
### 高揚程鎖帽千斤頂 Longer Stroke Lock Nut

請參考CSLL-系列。  
For lock nut applications that require longer stroke lengths, see CSLL-Series.



### 控制閥 Control Valve

可搭配例如SV-82類的針閥來控制油壓缸上升和下降的速度(請參考SV-系列)  
Fitting needle valve such as SV-82 is used to control cylinder speed during lifting and lowering. (See SV-Series)



| 提把型式<br>Handle type | 型號<br>Model Number | 外部尺寸 Outer Dimension    |              |                                 |                     |                         |                         |
|---------------------|--------------------|-------------------------|--------------|---------------------------------|---------------------|-------------------------|-------------------------|
|                     |                    | 能力<br>Cylinder Capacity | 揚程<br>Stroke | 受壓面積<br>Cylinder Effective Area | 總油量<br>Oil Capacity | 本身高<br>Collapsed Height | 伸長總高<br>Extended Height |
| (S)                 |                    | ton (kN)                | (mm)         | (cm <sup>2</sup> )              | (cm <sup>3</sup> )  | A (mm)                  | (mm)                    |
| ★                   | CSLP-602           | 60 (606)                | 50           | 86.6                            | 432                 | 125                     | 175                     |
| ★                   | CSLP-1002          | 100 (1027)              | 50           | 146.8                           | 734                 | 137                     | 187                     |
| ★                   | CSLP-1602          | 160 (1619)              | 45           | 231.3                           | 1040                | 148                     | 193                     |
| ★                   | CSLP-2002          | 200 (1999)              | 45           | 285.6                           | 1285                | 155                     | 200                     |
| ★                   | CSLP-2502          | 260 (2567)              | 45           | 366.8                           | 1650                | 159                     | 204                     |
| ★                   | CSLP-4002          | 400 (3916)              | 45           | 559.5                           | 2517                | 178                     | 223                     |
| ★                   | CSLP-5002          | 520 (5114)              | 45           | 730.6                           | 3287                | 192                     | 237                     |

| 外部尺寸 Outer Dimension   |                          |                          |                                  |                         |                                       |                                    |                         |              |
|------------------------|--------------------------|--------------------------|----------------------------------|-------------------------|---------------------------------------|------------------------------------|-------------------------|--------------|
| 外徑<br>Outside Diameter | 內徑<br>Cyl. Bore Diameter | 主軸直徑<br>Plunger Diameter | 底部前進油孔位置<br>Base to Advance Port | 墊塊直徑<br>Saddle Diameter | 凸出高度<br>Saddle Protrusion from Plngr. | 墊塊最大傾斜角度<br>Saddle Max. Tilt Angle | 鎖帽高度<br>Lock Nut Height | 重量<br>Weight |
| D (mm)                 | E (mm)                   | F (mm)                   | H (mm)                           | J (mm)                  | K (mm)                                | R                                  | S (mm)                  | (kg)         |
| 140                    | 105.0                    | Tr104X4                  | 19                               | 96                      | 6                                     | 5°                                 | 28                      | 15           |
| 175                    | 136.7                    | Tr136X6                  | 21                               | 126                     | 8                                     | 5°                                 | 31                      | 26           |
| 220                    | 171.6                    | Tr171X6                  | 27                               | 160                     | 9                                     | 5°                                 | 40                      | 44           |
| 245                    | 190.7                    | Tr190X6                  | 30                               | 180                     | 10                                    | 5°                                 | 43                      | 57           |
| 275                    | 216.1                    | Tr216X6                  | 32                               | 200                     | 11                                    | 5°                                 | 44                      | 74           |
| 350                    | 267.0                    | Tr266X6                  | 39                               | 250                     | 11                                    | 4°                                 | 55                      | 134          |
| 400                    | 305.0                    | Tr305X6                  | 48                               | 290                     | 10                                    | 3°                                 | 62                      | 189          |