

SRX 雙動六角中空液壓扳手

- 機身可作為反作用力承受臂。
- 內有特殊耐磨銅套，防止磨損卡死。
- 具油壓超壓釋放安全裝置。

輸出精度：+/-3% 重複精度：100%

Double-Acting, Hexagon Cassette Wrenches Lightweight, Low Profile & Slim Nose Radius

- ※Tool body can be Reaction Arm, easy to work.
 - ※Bronze bushing anti galling.
 - ※"Drop Hole" will protect over pressure operating.
- Output Accuracy : +/-3% Repeatability : 100%



選配安全握把
Opt Removable handle



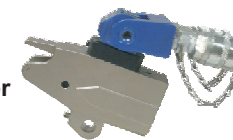
單插銷連結
One plug to connect



警告
溢油孔
Warning drop hole
預防接頭連接不正確或超壓使用時，以流出液壓油為警告作用。
Warning wrong coupler connect or over pressure which leaking oil.



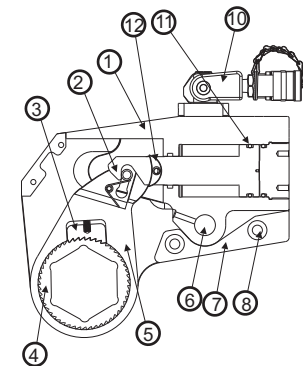
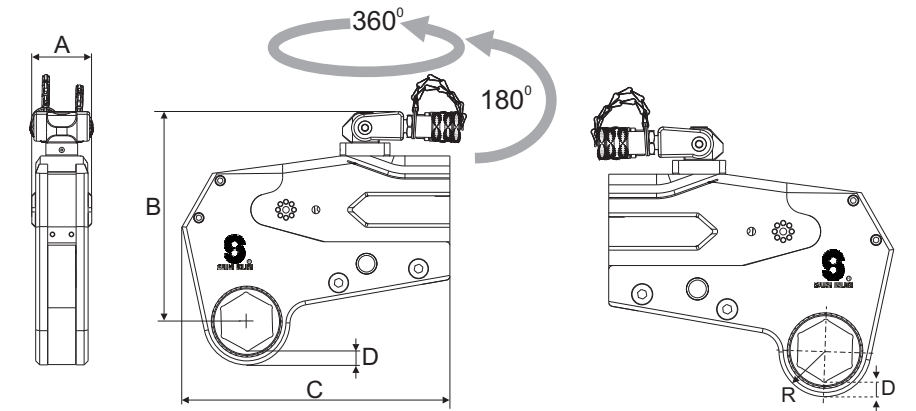
缸體
Cylinder



連接體
Link



型號 Model Number	六角頭 Hex. Size		最小扭力 Min. Torque		最大扭力 Max. Torque		重量 Weight (kg)		外型尺寸 Dimensions(mm)			
	(in)	(mm)	(lb.ft)	(N.m)	(lb.ft)	(N.m)	缸體 Cylinder	連接體 Link	A	B	C	D
SRX-2	1-1/4~2-3/8"	30~60	192	260	2178	2994	1.99	1.48~1.85	32.0	148.8~156.8	168.0~175.5	9.1~11.7
SRX-4	1-5/8~3-1/8"	41~80	395	535	4732	6504	3.35	3.05~3.95	41.4	172.9~189.2	204.4~220.8	12.7~13.7
SRX-8	1-7/8~4-1/8"	50~105	830	1125	10689	14692	6.64	6.25~8.60	52.5	210.4~235.4	268.1~283.9	13.7~19.5
SRX-16	2-3/4~4-5/8"	70~115	1560	2115	16854	23165	8.50	11.98~14.16	64.0	245.7~258.3	326.7~344.7	19.5~23.0
SRX-32	3-1/8~6-1/8"	80~155	3220	4365	37566	51632	16.1	25.10~30.36	82.5	287.6~313.1	422.5~442.5	23.0~26.0



1		高強度合金鋼本體 油缸及連接體均由高強力合金鋼製成。表面防銹處理。	High Strength Body Cylinder and Link Body are manufactured from high grade and strength alloy. Rust-resistant surface finish.
2		強力主軸組 合金鋼活塞及完全密封勾頭設計往復動作耐磨、不洩漏、不易變形。	Engagement Plunger Smooth leak proof functioning of enclosed alloy steel piston and engaged hook head.
3		防鎖死驅動片 可防扳手鎖死及可吸收反彈衝擊力量。	Never Lock Drive Segment Never lock drive segment does not let the wrench lock and thus eliminates the requirement of a ratchet release mechanism.
4		細齒棘輪組件 強度高、精度大、速度快。	Multi Tooth Ratchet Assembly Strong strength, high accuracy and best speed.
5		驅動片 單一驅動片，強力合金鋼材質延長使用壽命。可配合工具最小R角。	Drive Plate Single piece high strength alloy drive plate for maximum life. Allows small nose radius for the tool.
6		鋼製單一連接插銷 單一插銷連結缸體及連接體，不需額外特殊工具。	Steel Link Pin One simple pin for cassette link to cylinder engagement without using any additional or special tool.
7		同軸反作用襯墊 作用反作用力時可確保不變形。	In-line Reaction Pad This ensures torsion free reaction during use.
8		鋼質同心插銷 確保二面側板對等且受力均等。	Steel Alignment Pin Ensure equal load distribution between the 2 side plates.
9		缸體及連接體同扁平面設計 缸體與連接體同寬，適用於任何扁平空間。	Completely Flat Design Cylinder & Link Equal width of cylinder and link ensures tool sits flat on flange surface. Allows use in most confined areas.
10		360°*180° 出入油口萬向旋轉	360°*180° Swivel-Hose-Free Operation
11		活塞油封 耐高溫油封更可確保使用壽命。	Piston Seal High temperature Polyurethane seals ensure years of maintenance free operation.
12		防滾磨裝置 避免活塞磨耗。	Sliders Reduce friction and prevent wear on the piston.



螺栓直徑 Bolt Dia.	螺母對邊 Across flat	螺栓直徑 (英制) Bolt Dia. (imp.)	螺母對邊 (英制) Across flat (imp.)	SRX-2			SRX-4			SRX-8			SRX-16			SRX-32		
				連接體型號 Link model	R (mm)	D (mm)	連接體型號 Link model	R (mm)	D (mm)	連接體型號 Link model	R (mm)	D (mm)	連接體型號 Link model	R (mm)	D (mm)	連接體型號 Link model	R (mm)	D (mm)
20	30	3/4	1-1/4	SRX-2L 30	26.6	9.1												
22	32			SRX-2L 32	26.6	9.1												
24	36	7/8	1-7/16	SRX-2L 36	33.5	10.4												
27	41	1	1-5/8	SRX-2L 41	34.4	10.4	SRX-4L 41	36.8	12.7									
30	46	1-1/8	1-13/16	SRX-2L 46	37.2	10.4	SRX-4L 46	39.5	12.7									
33	50	1-1/4	2	SRX-2L 50	40.6	11.7	SRX-4L 50	42.3	12.7	SRX-8L 50	43.3	13.7						
36	55	1-3/8	2-3/16	SRX-2L 55	43.7	11.7	SRX-4L 55	45.2	12.7	SRX-8L 55	45.9	13.7						
39	60	1-1/2	2-3/8	SRX-2L 60	46.6	11.7	SRX-4L 60	47.9	12.7	SRX-8L 60	48.9	13.7						
42	65	1-5/8	2-9/16				SRX-4L 65	51.7	13.7	SRX-8L 65	52.5	13.7						
45	70	1-3/4	2-3/4				SRX-4L 70	54.8	13.7	SRX-8L 70	54.5	13.7	SRX-16L 70	60.3	19.5			
48	75	1-7/8	2-15/16				SRX-4L 75	57.3	13.7	SRX-8L 75	57.2	13.7	SRX-16L 75	63.1	19.5			
52	80	2	3-1/8				SRX-4L 80	60.1	13.7	SRX-8L 80	59.9	13.7	SRX-16L 80	66.0	19.5	SRX-32L 80	72.0	25.0
56	85									SRX-8L 85	67.2	17.5	SRX-16L 85	69.0	19.5	SRX-32L 85	75.0	25.0
60	90	2-1/4	3-1/2							SRX-8L 90	70.1	18.0	SRX-16L 90	71.8	19.5	SRX-32L 90	78.0	25.0
64	95									SRX-8L 95	73.5	18.0	SRX-16L 95	79.3	21.0	SRX-32L 95	80.5	25.0
68	100	2-1/2	3-7/8							SRX-8L 100	76.4	18.0	SRX-16L 100	80.0	21.0	SRX-32L 100	83.5	25.0
72	105	2-3/4	4-1/4							SRX-8L 105	80.5	19.5	SRX-16L 105	82.0	21.0	SRX-32L 105	87.5	26.5
76	110												SRX-16L 110	85.0	21.0	SRX-32L 110	91.3	26.5
80	115												SRX-16L 115	90.0	23.0	SRX-32L 115	94.9	26.5
	117	3	4-5/8													SRX-32L 117	94.9	26.5
85	120															SRX-32L 120	96.5	26.5
	125	3-1/4	5													SRX-32L 125	100.5	26.5
90	130															SRX-32L 130	102.5	26.5
95	135	3-1/2	5-3/8													SRX-32L 135	108.0	28.5
	140															SRX-32L 140	110.0	28.5
100	145	3-3/4	5-3/4													SRX-32L 145	113.0	28.5
105	150															SRX-32L 150	116.0	28.5
110	155	4	6-1/8													SRX-32L 155	119.0	28.5

