

SPE-554 電動油壓/扭力扳手泵浦

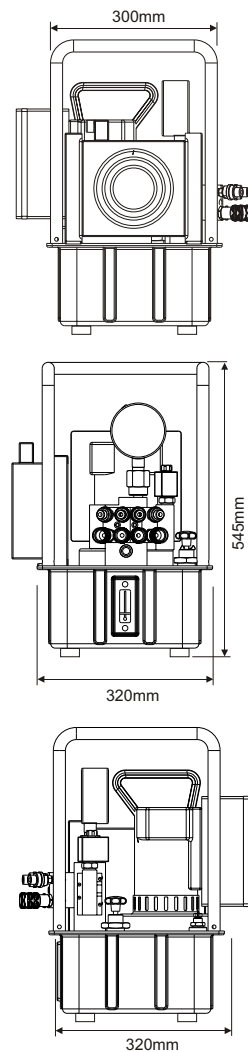
- 外部調壓。
- 內置釋放閥保護裝置。
- SPE-554TQ系列：適用於液壓扭力扳工具。
- SPE-554TQJ系列：適用於各類液壓舉升工具(參考56頁)。
- 選配八孔1/4"口徑同步分流器(含公母快速接頭及防塵蓋)，可4組扳手同步作業。
- 馬達空轉可設定20、40、60秒後自動停止並洩壓。
- 安全啟動裝置：停止後需再按啟動鈕才可使用。
- 氣冷式油溫冷卻系統。



Hydraulic Electric/Torque Wrench Pump

- ※ External adjustable pressure regulator.
- ※ Retract side internal relief valve protects tool.
- ※ SPE-554TQ series: just use with Hydraulic Torque Wrench.
- ※ SPE-554TQJ series: just use with Hydraulic lift applications.
- ※ Opt eight 1/4" ports (include female and male couplers with dust cap), that can synchronize work for 4 hydraulic wrench.
- ※ It can be set automatic stop moving as motor idle running till 20、40、60 seconds and pressure release.
- ※ Safety start: After stopping, need to press another start button to continue.
- ※ Heat Exchanger Kit: Design air cooling to avoid pump overheating and costly repair from long work periods.

SPE-554TQ



電泵型號選擇：Custom build your Electric/Torque Wrench Pump:

SPE-554TQ 1 5 1 8 2 0

- | | |
|---|--|
| 0. 模式
TQ=扭力扳手專用
TQJ=一般舉升適用 | 0. Type
TQ= just use in Torque Wrench
TQJ= using in lift applications |
| 1. 電壓
1=115V
2=230V | 1. Voltage
1=115V
2=230V |
| 2. Hz
5=50Hz / 60Hz | 2. Hz
5=50Hz / 60Hz |
| 3. 相數
1=單相 | 3. Phase
1=single phase |
| 4. 油箱 (Lx0.26=gal)
8=8L(2.1gal)
20=20L(5.2gal)
★亦可依客戶訂製 | 4. Reservoir (Lx0.26=gal)
8=8L(2.1gal)
20=20L(5.2gal)
★User can order suitable reservoir. |
| 5. 多通閥(含1/4"公-母快速接頭)
1=1座及1公-1母快速接頭
2=1座及2公-2母快速接頭(標準件)
3=1座及3公-3母快速接頭
4=1座及4公-4母快速接頭 | 5. Manifold (include 1/4" male-female coupler)
1=1 manifold with 1 male and 1 female coupler
2=1 manifold with 2 male and 2 female couplers (standard)
3=1 manifold with 3 male and 3 female couplers
4=1 manifold with 4 male and 4 female couplers |
| 6. 選配
W=輪子
O=冷卻系統
G=油壓錶 | 6. Optional
W=Wheel
O=Cool system
G=Pressure Gauge |

型號 Model Number	轉速 Rpm	噪音值 dBA at Idle and 700bar	馬達 Motor kW (hp)	安培 Amp at 700bar	流量 Flow rate @115VAC(L/min)				油箱 Oil tank (L)	可用油量 Usable oil (L)	重量 (含油) Weight (with oil) (kg)
					0 (bar)	50 (bar)	350 (bar)	700 (bar)			
SPE-554	12000	80	0.84 (1-1/8)	25 / 110V 13 / 230V	11.3	7.1	1.2	0.9	8	7	32

SPA-554 氣動油壓/扭力扳手泵浦

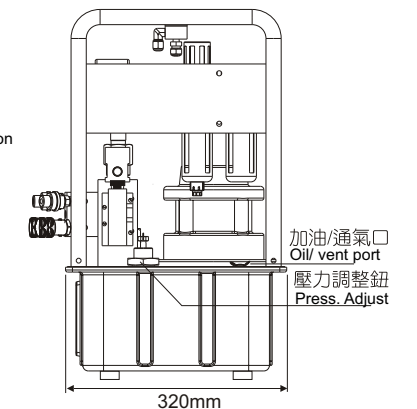
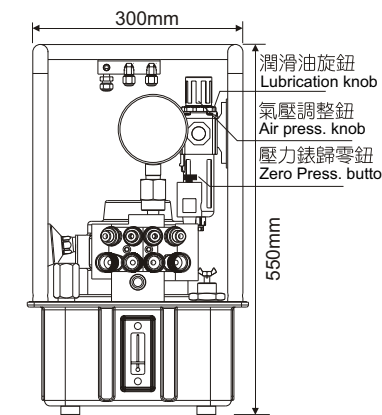
- 4hp強力馬達。
- 空氣驅動。
- 最大輸出壓力: 700bar
- 二段式高性能泵浦。
- 外部調壓。
- 內建式回油釋放閥保護油壓工件。
- 選配八孔1/4"口徑同步分流器(含公母快速接頭及防塵蓋)，可4組扳手同步作業。
- 適用於液壓扭力扳工具。
- 氣動遙控5M。

氣動遙控線
Pneumatic remote
SPA554TQ-A-A1



Hydraulic Air/Torque Wrench Pump

- ※ Powerful 4 hp motor starts under load.
- ※ Use where air is the preferred source of power.
- ※ Max. Pressure : 700bar
- ※ Two speed high performance pump.
- ※ External adjustable pressure regulator.
- ※ Retract side internal relief valve protects tool
- ※ Opt eight 1/4" ports (include female and male couplers with dust cap), that can synchronize work for 4 hydraulic wrench.
- ※ Use for Hydraulic torque Wrench
- ※ Pneumatic remote control with 5M cord.



型號 Model Number	使用空壓 Air Supply Req'd	轉速 Rpm	噪音值 dBA at Idle and 700bar	馬達 Motor (hp)	流量 Flow rate (L/min)				油箱 Oil tank (L)	重量 (含油) Weight (with oil) (kg)
					0 (bar)	70 (bar)	350 (bar)	700 (bar)		
SPA-554TQ	1.4M ³ /min @6 bar	3,000	75	4	7.4	1.3	1.1	0.9	8	38.5



扳手專用雙併雙色油管 Torque Wrench twice Hoses

- SUN RUN XU22W 系列
扳手專用雙併雙色油管
適用於任何油壓扭力扳手。
- ※ Use SUN RUN XU22W series torque wrench hoses with every model torque wrench to ensure the integrity of your hydraulic system.



扳手專用雙併油管 Torque Wrench twice Hoses

- SUN RUN XU1/4 系列
扳手專用雙併油管
適用於任何油壓扭力扳手。
- ※ Use SUN RUN XU1/4 series torque wrench hoses with every model torque wrench to ensure the integrity of your hydraulic system.

型號 Model Number	管徑 Tube Dia (in)	長度 Length		兩端尺寸 Hose End		工作壓力 W.P (bar)	爆破壓力 B.P (bar)
		(ft)	(m)	(in)	(in)		
XU22W-6M2NM2NM	1/4	20	6	1/4	1/4	700	2800
XU22W-12M2NM2NM	1/4	40	12	1/4	1/4	700	2800
XU1/4-6M	1/4	20	6	1/4	1/4	700	2800